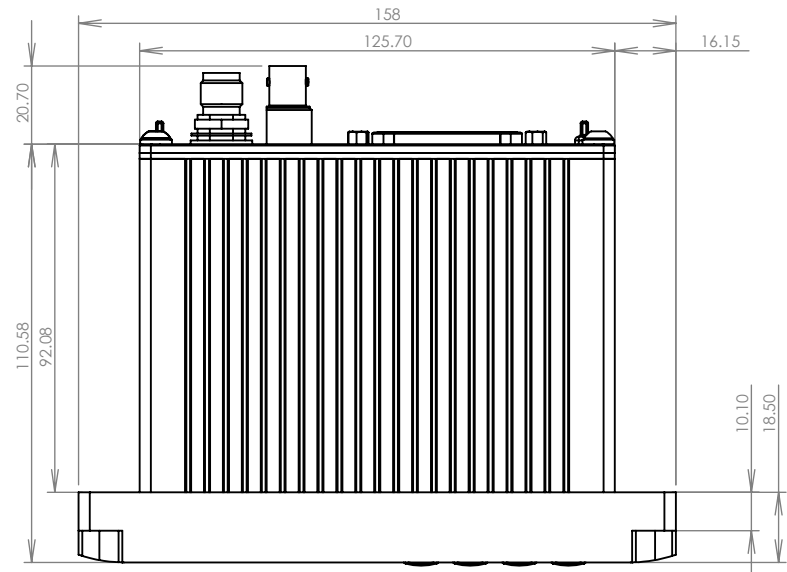
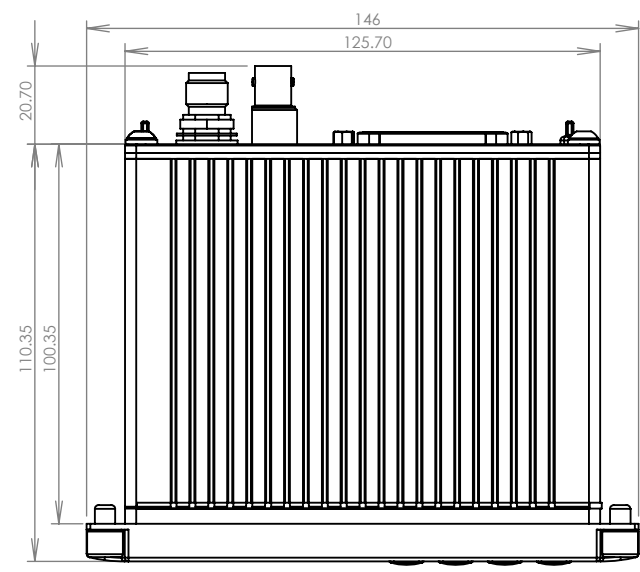


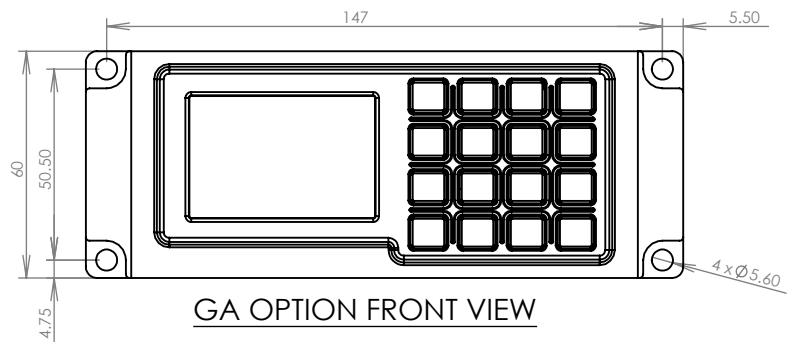
1.0	Original document (FCN0513)	08/08/2013	JG
REV	DESCRIPTION	DATE	APPD



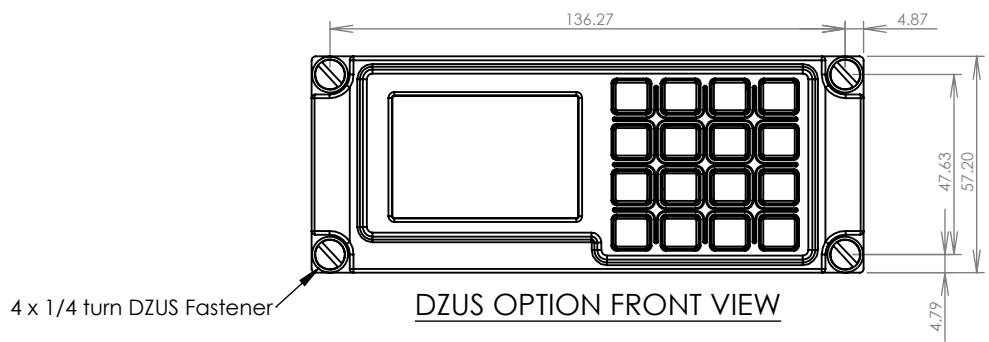
GA OPTION TOP VIEW



DZUS OPTION TOP VIEW



GA OPTION FRONT VIEW



DZUS OPTION FRONT VIEW

GENERAL LIMITS (UNLESS STATED): LINEAR: +/- 0.25 ANGULAR: +/- 0.10 ANGLES: +/- 1 ALL DIMENSIONS IN mm.	DRN: JG CKD: APPD: JW ISSUED:08/08/2013
MASS: DZUS - 650g (1 Transceiver) GA - 690g (1 Transceiver)	ORIGINAL SCALE:1:2 DRAWING SIZE: A4



Flightcell International Ltd  
PO Box 1481, Nelson, New Zealand  
Ph: +64 3 545 8651 [www.flightcell.com](http://www.flightcell.com)

TITLE: DZUS to GA Front Panel Comparison  
Flightcell International NCAGE Code: EBL17

DO NOT SCALE DRAWING  
IF IN DOUBT ASK!

Drawing applies to Part No: DZP\_04-x0x, DZP\_04-x2x, DZP\_04-x3x  
DZP\_04-x6x, DZP\_04-x7x

DRG NO: DRW\_DZ4\_002  
SHEET 1 OF 1