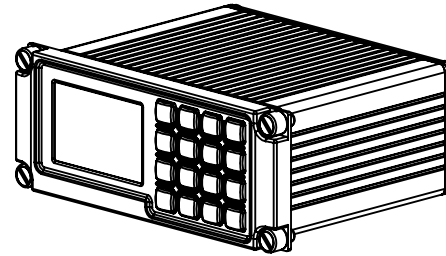
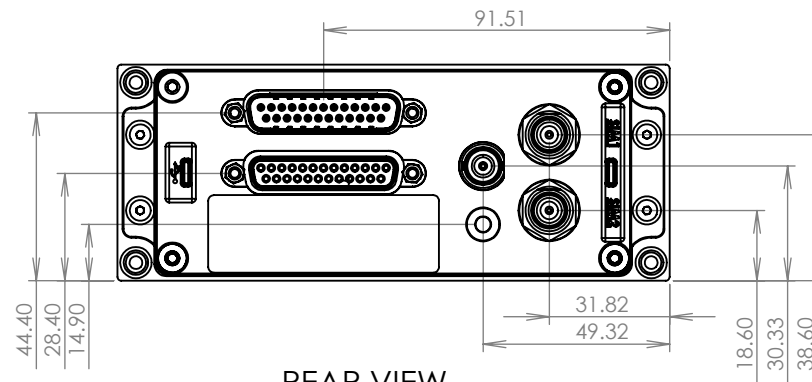


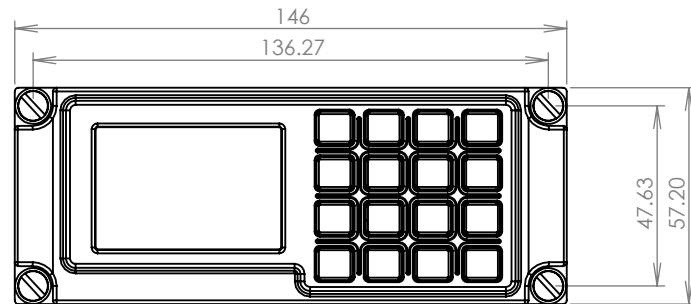
TOP VIEW



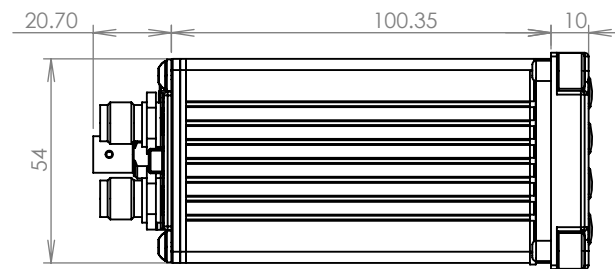
PICTORIAL VIEW



REAR VIEW



FRONT VIEW



SIDE VIEW

REV	DESCRIPTION	DATE	APPD
3.0	Added weight (FCN0512).	08/08/2013	JG
2.0	Rear panel RF connectors rearranged (FCN0439)	03/12/2012	JG
1.0	Original document (FCN0339)	20/04/2012	JG

GENERAL LIMITS (UNLESS STATED): LINEAR: +/- 0.25 ANGULAR: +/- 0.10 ANGLES: +/- 1 ALL DIMENSIONS IN mm.	DRN: JG CKD: APPD: JW ISSUED:08/08/2013
MASS: 1 Transceiver - 650g 2 Transceivers - 720g	ORIGINAL SCALE: 1:2 DRAWING SIZE: A4



Flightcell International Ltd
PO Box 1481, Nelson, New Zealand
Ph: +64 3 545 8651 www.flightcell.com

TITLE: DZUS Front/GA Back Mechanical Assembly
Flightcell International NCAGE Code: EBL17

Drawing applies to Part No: DZP_04-x0x, DZP_04-x3x

DRG NO: DRW_DZ4_002

SHEET 1 OF 1